



# RC4WD Universal LED Rock Lights



Please print the paper and carefully cut out the red area along the outline.



**Printing  
scale to fit page**

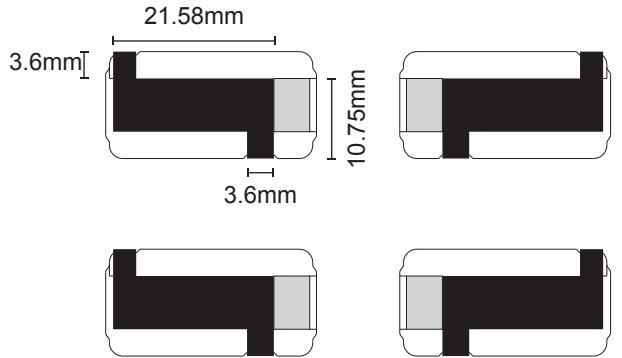
## Mounting Options

Adhesive Mounting Option (3M or Silicone)  
M1.6 X 5mm SHSTS

1. Installation on the chassis
2. Install on the body shell
3. Install on the underside of the inner fender

Custom "Built In" Fit Mounting Option  
M1.6 X 6mm SHSTS

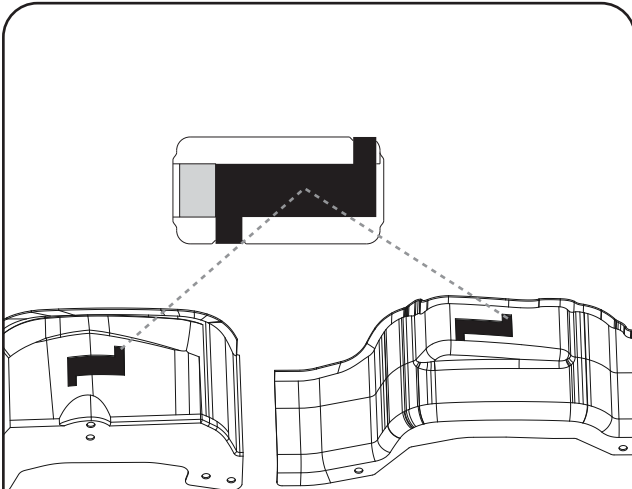
1. Follow Instructions below
2. Involves cutting and drilling fender wells



■ A note that this is the wire side.

wire placement will vary by mounting location,  
wire should be mounted toward the center of the vehicle

### Step 1.

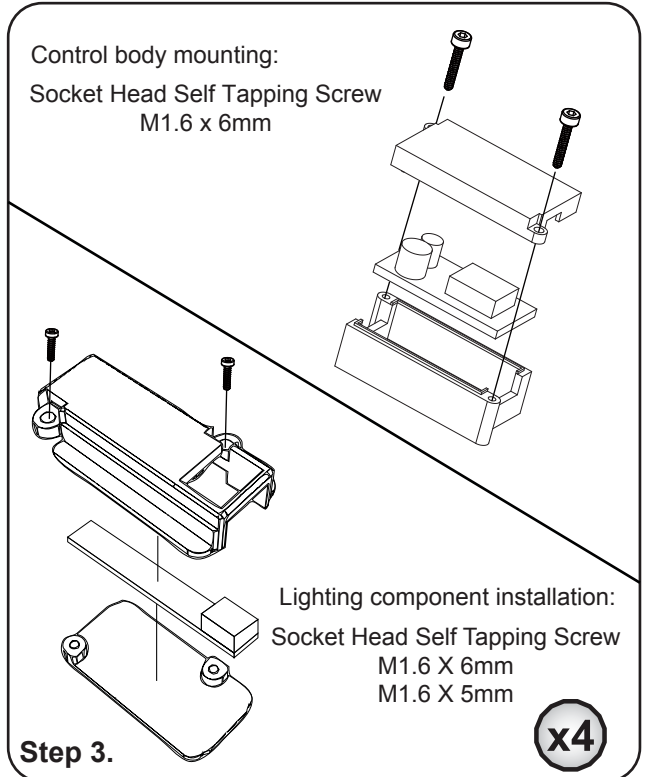


Please note:  
Cut a hole as shown in the image where you want to place the light. The dimensions of the hole are already marked on the image. Alternatively, you can simply use double-sided 3M tape to stick the light wherever you want to place it.



### Step 2.

Control body mounting:  
Socket Head Self Tapping Screw  
M1.6 x 6mm



Lighting component installation:  
Socket Head Self Tapping Screw  
M1.6 X 6mm  
M1.6 X 5mm

### Step 3.

